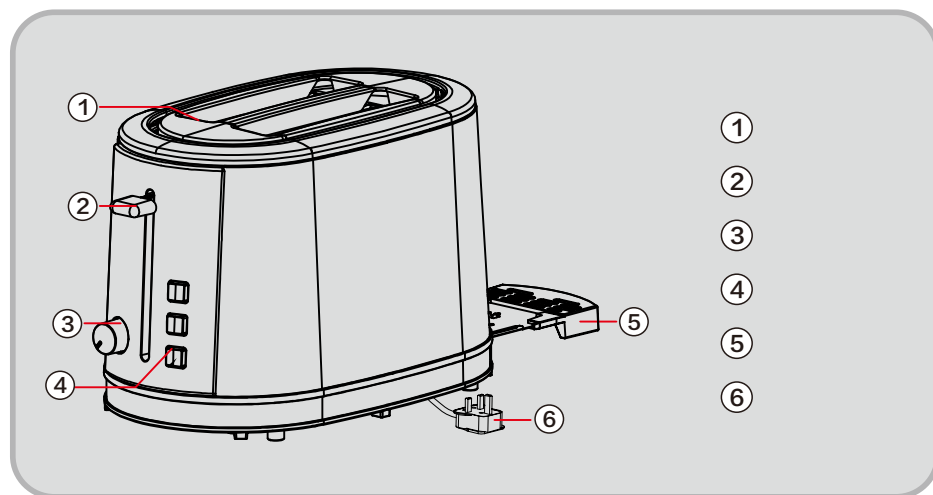


## 安全注意事项

- 1.使用前请仔细阅读使用说明书。
- 2.确认使用的电压范围是否与铭牌上标识的一致,且保证插座接地良好。
- 3.不可触摸高温表面。仅使用旋钮和按键。
- 4.不可将电源线、插头或机身浸入水或其它液体中,以免发生触电现象。
- 5.不使用时或清洁前,请把电源插头拔掉。
- 6.当电源线或插座受到损坏,或者其它任何电器部件故障时,不可继续操作使用此产品,将它送到制造经销商或贵处特约服务部更换或维修。
- 7.不要将电源线悬挂在桌子边缘或热表面上。
- 8.本产品不可放置于高温的燃气或电热炉上或旁边使用。
- 9.请勿使用此产品在其它用途中。
- 10.金属薄片或其它导电材料不允许插入多士炉内,以防止火灾或短路现象。
- 11.多士炉不可放在窗帘或其它易燃物旁边使用,以免发生火灾。
- 12.任何未经制造商推荐的附件不可使用,以免损坏产品。
- 13.多士炉正在工作时,不可试图去移动面包片。
- 14.面包烘烤完后,取出时要十分小心,以免烫伤。
- 15.本家电适合于8周岁及以上的正常人士使用。如身体残弱不便、感官和智力障碍,以及缺少相关经验和知识的人群使用时,必须有正常能力而且懂得安全操作的监护人从旁监督指导。禁止儿童玩耍本家电,同时,也不允许其对本家电进行维护和保养,除非其大于8周岁而且有监护人从旁照看。
- 16.注意保管好本家电,切勿让小于8周岁的儿童能够拿取本家电及其电源线。
- 17.本器具不能使用额外的定时器或其他遥控系统操作。
- 18.本器具适用于家用和类似场合使用,例如:  
----在商铺、办公室和其他工作环境中的职工厨房;  
----农场;  
----客栈、汽车旅店和其他住宅型环境;  
----住宿(加次日)早餐环境。
- 19.本产品不要在户外使用。
- 20.保存好使用说明书。

## 产品示意图



## 初次使用注意

### 操作

- 1.
- 2.
- 3.
- 4.
- 5.
- 6.
- 7.

### 警告

- 1.
- 2.
- 3.
- 4.
- 5.

### 清洁与保养

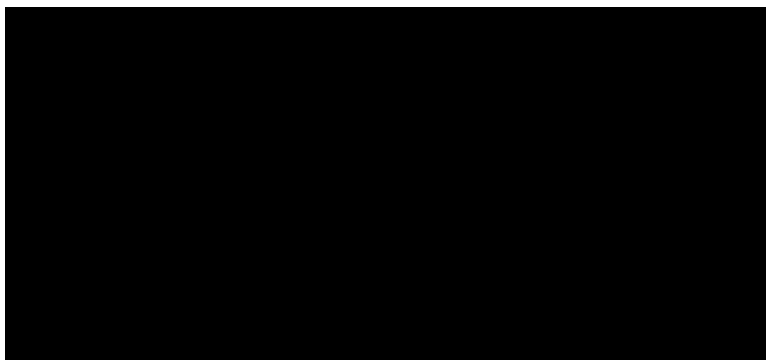
- 1.
- 2.
- 3.
- 4.

## IMPORTANT SAFEGUARD

When using electrical appliance. Basic safety precautions should always be followed including the following:

1. Read all instruction.
2. Make sure that your outlet voltage corresponds to the voltage stated on the rating label of the toaster.
3. Do not touch hot surface. Use handles or knobs only.
4. To protect against electrical shock, do not immerse cord, plug, or any part of the toaster in water or other liquid.
5. Close supervision is necessary when any appliance is used by or near children.
6. Unplug unit from outlet when not in use and before cleaning. Allow to cooling before putting on or taking off parts.
7. Allow the unit to cool completely before cleaning or storing.
8. Do not operate any appliance with a damaged cord or plug, or in abnormal state. If its main cord is damaged, it must be replaced by the manufacturer, the nearest service agent or a qualified person.
9. Do not let the cord hang over edge of table or counter, or touch hot surface.
10. Do not place on or near a hot gas or electric burner, or in a heated oven.
11. Do not use the appliance for other than its intended use.
12. Oversize food, metal foil packages or utensils must not be inserted in the toaster as they may cause fire or electric shock.
13. Bread may burn, therefore toasters must not be used near or below curtains and other combustible materials, they must be watched.
14. The use of accessory attachments not recommended by the appliance manufacturer may cause injuries.
15. Use the appliance on a level and stable work surface.
16. Don't attempt to dislodge food when toaster is in operation
17. The appliance is not intended to be operated by means of an external timer or separate remote-control system.
18. Be sure to take the bread out carefully after toasting so as to avoid injuries
19. This appliance has been incorporated with a grounded plug. Please ensure the wall outlet in your house is well earthed.
20. This appliance can be used by children aged from 8 years and above and persons with reduced physical, sensory or mental capabilities or lack of experience and knowledge if they have been given supervision or instruction concerning use of the appliance in a safe way and understand the hazards involved. Children shall not play with the appliance. Cleaning and user maintenance shall not be made by children unless they are older than 8 and supervised.
21. Keep the appliance and its cord out of reach of children less than 8 years.
22. Don't use the appliance outdoors.
23. This appliance is intended to be used in household and similar applications such as:  
- Staff kitchen areas in shops, offices and other working environments;  
- Farm houses;  
- By clients in hotels, motels and other residential type environments;  
- Bed and breakfast type environments.
24. Save these instructions.

## PRODUCT INTRODUCTION



## FOR THE FIRST USE

As there is manufacturing residue or oil remained in the toaster or heat element, it usually will emit the odor for the first use. It is normal and will not occur after several times use, for the first use it is suggested to operate according to the below steps, except without bread. Then let the toaster cool down and begin toasting the first slice.

## OPERATION

1. Put bread slice into the bread slot, it can be inserted two slices at most every time.

Note: Make sure the crumb tray is completely positioned in place before using.

2. Plug the power cord into the outlet.

3. Set color controller to your desired color. The lowest is set white and the highest is dark. The middle position of control knob can toast the bread to golden color.

Note: 1). Toasting color for one slice is darker than that for double bread at the same level.

2). If toasted continuously, toasting color for the latter bread is darker than that for the anterior bread at the same level.

4. Press carriage handle down vertically until it is positioned in place, and toast will begin at once. Once the bread has been toasted to the preset color, the carriage handle will automatically spring up.

Note: Only the power supply is switching on, the carriage handle can rest on the bottom of slot.

5. During the toasted process, you may observe the toasting color. If it is satisfying, you press the CANCEL button to cancel the operation at any time.

6. If the bread has been taken out from refrigerator. Set color controller to your desired color. Press carriage handle down vertically until it is positioned in place, then press DEFROST button and the indicator of it will be illuminated, in this mode it will be toasted to your desired color.

7. If you want to reheat the cold toasted bread, press the REHEAT button and the indicator of it will be illuminated. In this mode toasting time is fixed, so long as time is running over, the carriage handle will automatically spring up and end up the reheating process.

## CAUTION

1. If toaster starts to smoke, Press CANCEL button to stop toasting immediately.
2. Remove all protective wrapping prior to placing in toaster.
3. Avoid toasting the food with extremely runny ingredients such as butter.
4. Never attempt to remove bread jammed in the slots without unplugging the toaster from the electrical outlet first, Be sure not to damage the internal mechanism or heating elements when removing bread.
5. The bread slot is only applicable for toasting regular bread slice. Like the irregular bread or round bread, you can not toast it in the Bread slot.

## CLEANING AND MAINTENANCE

1. Disconnect from AC outlet before cleaning.
2. Wipe the outside with soft dry cloth after toaster cools down, never use metal polish.
3. Pull out crumb tray on bottom of toaster and empty it. If toaster is used frequently, accumulated bread crumbs should be removed at least once a week. Make sure the crumb tray is completely closed before using the toaster again.
4. When not use or storage, the power cord may be wound under the bottom of toaster.

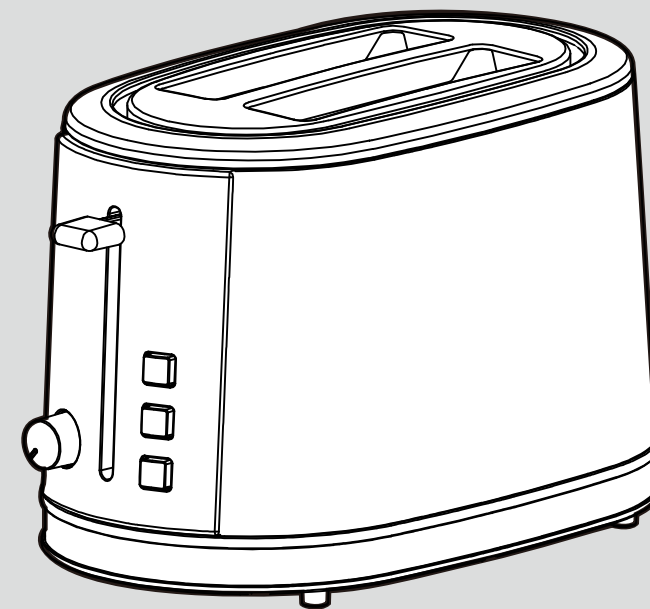
## ENVIRONMENT FRIENDLY DISPOSAL



You can help protect the environment!  
Please remember to respect the local regulations: hand in the non-working electrical equipments to an appropriate waste disposal center.

**morphy richards**  
more innovative

Toaster



MR8095

在使用本产品之前请仔细阅读使用说明书并保存好，以备日后参考